
INSTALLATION, OPERATION, AND MAINTENANCE MANUAL

WITH PARTS LIST



80 SERIES PUMP

| MODEL |
|--------------------|
| 82D1-EX13-X |

THE GORMAN-RUPP COMPANY • MANSFIELD, OHIO

www.grpumps.com

GORMAN-RUPP OF CANADA LIMITED • ST. THOMAS, ONTARIO, CANADA

Printed in U.S.A.

©2008 The Gorman-Rupp Company

Register your new
Gorman-Rupp pump online at
www.grpumps.com

Valid serial number and e-mail address required.



The engine exhaust from this product contains chemicals known to the State of California to cause cancer, birth defects or other reproductive harm.

RECORD YOUR PUMP MODEL AND SERIAL NUMBER

Please record your pump model and serial number in the spaces provided below. Your Gorman-Rupp distributor needs this information when you require parts or service.

Pump Model: _____

Serial Number: _____

TABLE OF CONTENTS

| | |
|--|-------------------|
| INTRODUCTION | PAGE I – 1 |
| SAFETY - SECTION A | PAGE A – 1 |
| INSTALLATION – SECTION B | PAGE B – 1 |
| Pump Dimensions | PAGE B – 1 |
| PREINSTALLATION INSPECTION | PAGE B – 1 |
| POSITIONING PUMP | PAGE B – 2 |
| Lifting | PAGE B – 2 |
| Mounting | PAGE B – 2 |
| SUCTION AND DISCHARGE PIPING | PAGE B – 2 |
| Materials | PAGE B – 2 |
| Line Configuration | PAGE B – 2 |
| Connections to Pump | PAGE B – 2 |
| Gauges | PAGE B – 3 |
| SUCTION LINES | PAGE B – 3 |
| Fittings | PAGE B – 3 |
| Strainers | PAGE B – 3 |
| Sealing | PAGE B – 3 |
| Suction Lines In Sumps | PAGE B – 3 |
| Suction Line Positioning | PAGE B – 3 |
| DISCHARGE LINES | PAGE B – 4 |
| Siphoning | PAGE B – 4 |
| Valves | PAGE B – 4 |
| Bypass Lines | PAGE B – 4 |
| GROUNDING | PAGE B – 5 |
| OPERATION – SECTION C | PAGE C – 1 |
| PRIMING | PAGE C – 1 |
| STARTING | PAGE C – 1 |
| OPERATION | PAGE C – 1 |
| Lines With a Bypass | PAGE C – 1 |
| Lines Without a Bypass | PAGE C – 2 |
| Leakage | PAGE C – 2 |
| Liquid Temperature And Overheating | PAGE C – 2 |
| Strainer Check | PAGE C – 2 |
| Pump Vacuum Check | PAGE C – 2 |
| STOPPING | PAGE C – 2 |
| Cold Weather Preservation | PAGE C – 3 |
| TROUBLESHOOTING – SECTION D | PAGE D – 1 |
| PREVENTIVE MAINTENANCE | PAGE D – 3 |
| PUMP MAINTENANCE AND REPAIR - SECTION E | PAGE E – 1 |
| STANDARD PERFORMANCE CURVE | PAGE E – 1 |

TABLE OF CONTENTS
(continued)

| | |
|--|-------------|
| PARTS LISTS: | |
| Pump Model | PAGE E – 3 |
| Pump End Assy | PAGE E – 5 |
| Engine Modification Assembly | PAGE E – 7 |
| PUMP AND SEAL DISASSEMBLY AND REASSEMBLY | PAGE E – 8 |
| Suction Check Valve Disassembly | PAGE E – 8 |
| Pump Casing Removal | PAGE E – 9 |
| Impeller Removal | PAGE E – 9 |
| Seal Removal and Disassembly | PAGE E – 9 |
| Seal Reassembly and Installation | PAGE E – 9 |
| Impeller Installation And Adjustment | PAGE E – 11 |
| Pump Casing Installation | PAGE E – 11 |
| Suction Check Valve Installation | PAGE E – 11 |
| Final Pump Assembly | PAGE E – 11 |
| LUBRICATION | PAGE E – 12 |
| Seal Assembly | PAGE E – 12 |
| Engine | PAGE E – 12 |
| ENGINE MODIFICATIONS | PAGE E – 12 |

INTRODUCTION

Thank You for purchasing a Gorman-Rupp pump. **Read this manual** carefully to learn how to safely install and operate your pump. Failure to do so could result in personal injury or damage to the pump.

This manual will alert personnel to known procedures which require special attention, to those which could damage equipment, and to those which could be dangerous to personnel. However, this manual cannot possibly anticipate and provide detailed precautions for every situation that might occur during maintenance of the unit. Therefore, it is the responsibility of the owner/maintenance personnel to ensure that **only** safe, established maintenance procedures are used, and that any procedures not addressed in this manual are performed **only** after establishing that neither personal safety nor pump integrity are compromised by such practices.

This pump is a 80 Series, semi-open impeller, self-priming centrifugal model with a suction check valve. It is close-coupled to a single cylinder Robin gasoline engine incorporating such safety features as splash guards, grounding wire and shielded spark plug.

The pump is designed for pumping water, gasoline or other petroleum products in a non-flammable atmosphere. The basic material of construction aluminum, with an aluminum impeller and steel wearing parts.

If there are any questions regarding the pump or its application which are not covered in this manual or in other literature accompanying this unit, please contact your Gorman-Rupp distributor, or:

The Gorman-Rupp Company
P.O. Box 1217
Mansfield, Ohio 44901-1217
Phone: (419) 755-1011
 or:
Gorman-Rupp of Canada Limited
70 Burwell Road
St. Thomas, Ontario N5P 3R7
Phone: (519) 631-2870

The following are used to alert maintenance personnel to procedures which require special attention, to those which could damage equipment, and to those which could be dangerous to personnel:



Immediate hazards which WILL result in severe personal injury or death. These instructions describe the procedure required and the injury which will result from failure to follow the procedure.



Hazards or unsafe practices which COULD result in severe personal injury or death. These instructions describe the procedure required and the injury which could result from failure to follow the procedure.



Hazards or unsafe practices which COULD result in minor personal injury or product or property damage. These instructions describe the requirements and the possible damage which could result from failure to follow the procedure.

NOTE

Instructions to aid in installation, operation, and maintenance, or which clarify a procedure.

SAFETY - SECTION A

This information applies to 80 Series engine driven pumps. Refer to the manual accompanying the engine before attempting to begin operation.

This manual will alert personnel to known procedures which require special attention, to those which could damage equipment, and to those which could be dangerous to personnel. However, this manual cannot possibly anticipate and provide detailed instructions and precautions for every situation that might occur during maintenance of the unit. Therefore, it is the responsibility of the owner/maintenance personnel to ensure that only safe, established maintenance procedures are used, and that any procedures not addressed in this manual are performed only after establishing that neither personal safety nor pump integrity are compromised by such practices.



The engine used in this pump is not standard. It has been modified for use in handling gasoline and other petroleum products in a well-ventilated, non-flammable atmosphere free of combustible hazards. It cannot be further modified without affecting performance and safety factors. The shield and spark arresting modifications must be inspected and maintained regularly while the unit is in use. Refer to the manual accompanying the engine before attempting to start the engine.



This pump is designed to handle water, gasoline and other petroleum products in a non-flammable atmosphere. Do not

attempt to pump corrosive materials, or any liquids which may damage the pump or endanger personnel as a result of pump failure.



Before attempting to open or service the pump:

1. Familiarize yourself with this manual.
2. Shut down the engine and disconnect the spark plug wire to ensure that the pump will remain inoperative.
3. Allow the pump to completely cool if overheated.
4. Check the temperature before opening any covers, plates, or plugs.
5. Close the suction and discharge valves.
6. Vent the pump slowly and cautiously.
7. Drain the pump.



After the pump has been installed, make certain that the pump and all piping or hose connections are tight, properly supported and secure before operation.



Do not operate the pump against a closed discharge valve for long periods of time. If operated against a closed discharge valve, pump components will deteriorate, and the liquid could come to a boil, build pressure, and cause the pump casing to rupture or explode.

**WARNING!**

Do not remove plates, covers, gauges, pipe plugs, or fittings from an overheated pump. Vapor pressure within the pump can cause parts being disengaged to be ejected with great force. allow the pump to cool before servicing.

**WARNING!**

Overheated pumps can cause severe burns and injuries. If overheating of the pump occurs:

1. Stop the pump immediately.
2. Ventilate the area.
3. Allow the pump to completely cool.
4. Check the temperature before opening any covers, plates, gauges, or plugs.
5. Vent the pump slowly and cautiously.
6. Refer to instructions in this manual before restarting the pump.

**WARNING!**

Do not operate an internal combustion engine in an explosive atmosphere. When operating internal combustion engines in an enclosed area, make certain that exhaust fumes are piped to the

outside. These fumes contain carbon monoxide, a deadly gas that is colorless, tasteless, and odorless.

**WARNING!**

Fuel used by internal combustion engines presents an extreme explosion and fire hazard. Make certain that all fuel lines are securely connected and free of leaks. Never refuel a hot or running engine. Avoid overfilling the fuel tank. always use the correct type of fuel.

**WARNING!**

If this pump is used with volatile and/or flammable liquids, be certain proper safety practices are followed before operating or servicing the pump. Provide adequate ventilation, prohibit smoking, wear static-resistant clothing and shoes. Clean up all fuel spills immediately after occurrence.

**WARNING!**

Never tamper with the governor to gain more power. The governor establishes safe operating limits that should not be exceeded. The maximum continuous operating speed for this pump is 3800 RPM.

INSTALLATION – SECTION B

Review all SAFETY information in Section A.

Since pump installations are seldom identical, this section offers only general recommendations and practices required to inspect, position, and arrange the pump and piping.

Most of the information pertains to a standard **static lift** application where the pump is positioned above the free level of liquid to be pumped.

If installed in a **flooded suction application** where the liquid is supplied to the pump under pressure, some of the information such as mounting, line configuration, and priming must be tailored to the

specific application. Since the pressure supplied to the pump is critical to performance and safety, **be sure** to limit the incoming pressure to 50% of the maximum permissible operating pressure as shown on the pump performance curve.

For further assistance, contact your Gorman-Rupp distributor or the Gorman-Rupp Company.

Pump Dimensions

See Figure 1 for the approximate physical dimensions of this pump.

OUTLINE DRAWING

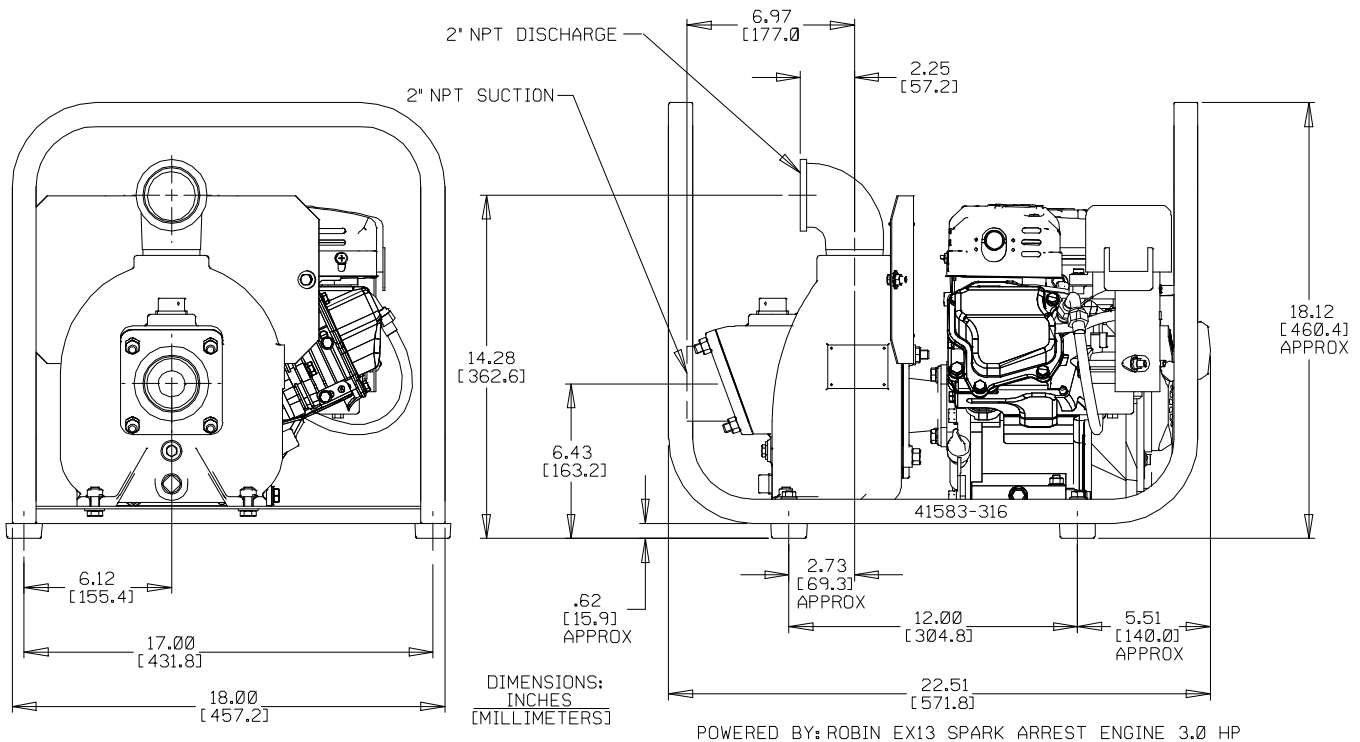


Figure 1. Pump Model 82D1-EX13-X

PREINSTALLATION INSPECTION

The pump assembly was inspected and tested before shipment from the factory. Before installation, inspect the pump for damage which may have occurred during shipment. Check as follows:

- a. Inspect the pump and engine for cracks, dents, damaged threads, and other obvious damage.
- b. Check for and tighten loose attaching hardware. Since gaskets tend to shrink after dry-

- ing, check for loose hardware at mating surfaces.
- c. Carefully read all tags, decals, and markings on the pump assembly, and perform all duties indicated.
 - d. Check levels and lubricate as necessary. Refer to **LUBRICATION** in the **MAINTENANCE AND REPAIR** section of this manual and perform duties as instructed.
 - e. If the pump and engine have been stored for more than 12 months, some of the components or lubricants may have exceeded their maximum shelf life. These **must be inspected or replaced** to ensure maximum pump service.
 - f. Check all special engine modifications such as shielded spark plug, fuel spill guard and ground wire assembly for loose mounting hardware.

If the maximum shelf life has been exceeded, or if anything appears to be abnormal, contact your Gorman-Rupp distributor or the factory to determine the repair or updating policy. **Do not** put the pump into service until appropriate action has been taken.

POSITIONING PUMP

Lifting

Pump unit weights will vary depending on the mounting and drive provided. Check the shipping tag on the unit packaging for the actual weight, and use lifting equipment with appropriate capacity. Drain the pump and remove all customer-installed equipment such as suction and discharge hoses or piping before attempting to lift existing, installed units.



The pump assembly can be seriously damaged if the cables or chains used to lift and move the unit are improperly wrapped around the pump.

Mounting

Locate the pump in an accessible place as close as practical to the liquid being pumped. Level mounting is essential for proper operation.

The pump may have to be supported or shimmed to provide for level operation or to eliminate vibration.

If the pump has been mounted on a moveable base, make certain the base is stationary by setting the brake and blocking the wheels before attempting to operate the pump.

To ensure sufficient lubrication and fuel supply to the engine, **do not** position the pump and engine more than 15° off horizontal for continuous operation. The pump and engine may be positioned up to 30° off horizontal for **intermittent operation only**; however, the engine manufacturer should be consulted for continuous operation at angles greater than 15°.

SUCTION AND DISCHARGE PIPING

Pump performance is adversely effected by increased suction lift, discharge elevation, and friction losses. See the performance curve and notes on Page E-1 to be sure your overall application allows pump to operate within the safe operation range.

Materials

Either pipe or hose maybe used for suction and discharge lines; however, the materials must be compatible with the liquid being pumped. If hose is used in suction lines, it must be the rigid-wall, reinforced type to prevent collapse under suction. Using piping couplings in suction lines is not recommended.

Line Configuration

Keep suction and discharge lines as straight as possible to minimize friction losses. Make minimum use of elbows and fittings, which substantially increase friction loss. If elbows are necessary, use the long-radius type to minimize friction loss.

Connections to Pump

Before tightening a connecting flange, align it exactly with the pump port. Never pull a pipe line into

place by tightening the flange bolts and/or couplings.

Lines near the pump must be independently supported to avoid strain on the pump which could cause excessive vibration, decreased bearing life, and increased shaft and seal wear. If hose-type lines are used, they should have adequate support to secure them when filled with liquid and under pressure.

Gauges

Most pumps are drilled and tapped for installing discharge pressure and vacuum suction gauges. If these gauges are desired for pumps that are not tapped, drill and tap the suction and discharge lines not less than 18 inches (457,2 mm) from the suction and discharge ports and install the lines. Installation closer to the pump may result in erratic readings.

SUCTION LINES

To avoid air pockets which could affect pump priming, the suction line must be as short and direct as possible. When operation involves a suction lift, the line must always slope upward to the pump from the source of the liquid being pumped; if the line slopes down to the pump at any point along the suction run, air pockets will be created.

Fittings

Suction lines should be the same size as the pump inlet. If reducers are used in suction lines, they should be the eccentric type, and should be installed with the flat part of the reducers uppermost to avoid creating air pockets. Valves are not normally used in suction lines, but if a valve is used, install it with the stem horizontal to avoid air pockets.

Strainers

If a strainer is furnished with the pump, be certain to use it; any spherical solids which pass through a strainer furnished with the pump will also pass through the pump itself.

If a strainer is not furnished with the pump, but is installed by the pump user, make certain that the

total area of the openings in the strainer is at least three or four times the cross section of the suction line, and that the openings will not permit passage of solids larger than the solids handling capability of the pump.

This pump is designed to handle up to 5/8 inch (15,8 mm) diameter spherical solids.

Sealing

Since even a slight leak will affect priming, head, and capacity, especially when operating with a high suction lift, all connections in the suction line should be sealed with pipe dope to ensure an airtight seal. Follow the sealant manufacturer's recommendations when selecting and applying the pipe dope. The pipe dope should be compatible with the liquid being pumped.

Suction Lines In Sumps

If a single suction line is installed in a sump, it should be positioned away from the wall of the sump at a distance equal to 1-1/2 times the diameter of the suction line.

If there is a liquid flow from an open pipe into the sump, the flow should be kept away from the suction inlet because the inflow will carry air down into the sump, and air entering the suction line will reduce pump efficiency.

If it is necessary to position inflow close to the suction inlet, install a baffle between the inflow and the suction inlet at a distance 1-1/2 times the diameter of the suction pipe. The baffle will allow entrained air to escape from the liquid before it is drawn into the suction inlet.

If two suction lines are installed in a single sump, the flow paths may interact, reducing the efficiency of one or both pumps. To avoid this, position the suction inlets so that they are separated by a distance equal to at least 3 times the diameter of the suction pipe.

Suction Line Positioning

The depth of submergence of the suction line is critical to efficient pump operation. Figure 2 shows recommended minimum submergence vs. velocity.

NOTE

The pipe submergence required may be reduced by installing a standard pipe increaser fitting at the end of the suction line. The larger opening size will

reduce the inlet velocity. Calculate the required submergence using the following formula based on the increased opening size (area or diameter).

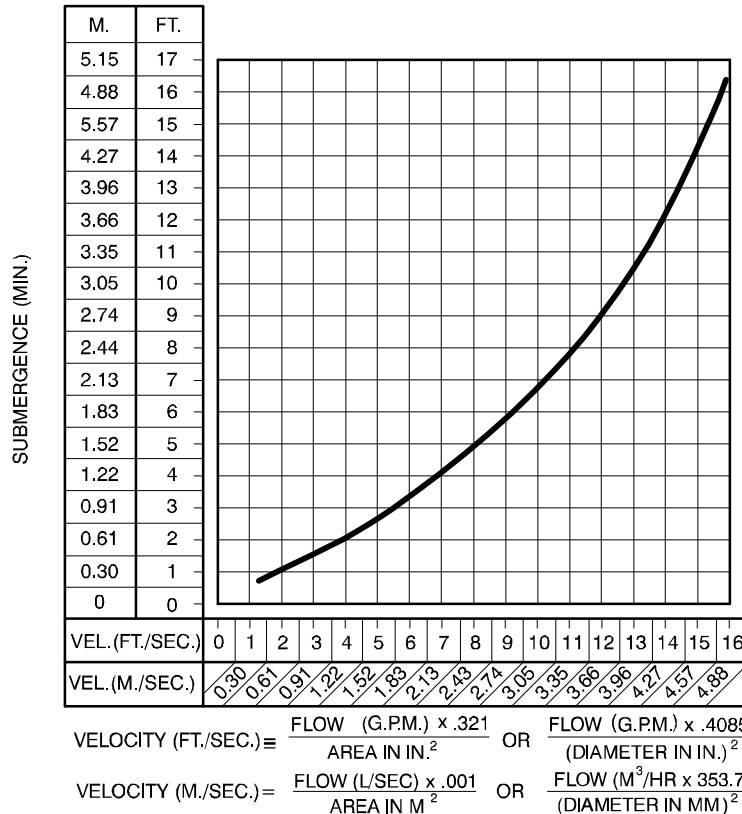


Figure 2. Recommended Minimum Suction Line Submergence vs. Velocity

DISCHARGE LINES

Siphoning

Do not terminate the discharge line at a level lower than that of the liquid being pumped unless a siphon breaker is used in the line. Otherwise, a siphoning action causing damage to the pump could result.

Valves

If a throttling valve is desired in the discharge line, use a valve as large as the largest pipe to minimize friction losses. Never install a throttling valve in a suction line.

A check valve in the discharge line is normally recommended, but it is not necessary in low discharge head applications.

With high discharge heads, it is recommended that a throttling valve and a system check valve be in-

stalled in the discharge line to protect the pump from excessive shock pressure and reverse rotation when it is stopped.



If the application involves a high discharge head, gradually close the discharge throttling valve before stopping the pump.

Bypass Lines

If a system check valve is used due to high discharge head, it may be necessary to vent trapped air from the top of the pump during the priming process. This may be accomplished by installing a bypass line from the top of the pump, back to the source of liquid. The end of the bypass line must be submerged. The line must be large enough to prevent clogging, but not so large as to affect pump discharge capacity.

GROUNDING

To eliminate electrostatic build-up by the liquid being pumped, the unit must be grounded by attaching the ground wire assembly to a ground rod. Install the ground rod in accordance with the National Electrical Code and all local codes. Be sure the clamp or fastener has made a tight electrical connection with the rod.



Inspect and test the ground wire assembly for conductivity. Replace a broken or frayed wire before resuming operation.

OPERATION – SECTION C

Review all **SAFETY** information in Section A.

Follow the instructions on all tags, labels and decals attached to the pump.



This pump is designed to handle water, gasoline and other petroleum products in a non-flammable atmosphere. Do not attempt to pump corrosive materials, or any liquids which may damage the pump or endanger personnel as a result of pump failure.



If this pump is used with volatile and/or flammable liquids, be certain proper safety practices are followed before operating or servicing the pump. Provide adequate ventilation, prohibit smoking, wear static-resistant clothing and shoes. Clean up all fuel spills immediately after occurrence.

PRIMING

Install the pump and piping as described in **INSTALLATION**. Make sure that the piping connections are tight, and that the pump is securely mounted. Check that the pump is properly lubricated (see **LUBRICATION** in **MAINTENANCE AND REPAIR**).

This pump is self-priming, but the pump should never be operated unless there is liquid in the pump casing.



Never operate this pump unless there is liquid in the pump casing. The pump will

not prime when dry. Extended operation of a dry pump will destroy the seal assembly.

Add liquid to the pump casing when:

1. The pump is being put into service for the first time.
2. The pump has not been used for a considerable length of time.
3. The liquid in the pump casing has evaporated.

Once the pump casing has been filled, the pump will prime and reprime as necessary.



After filling the pump casing, reinstall and tighten the fill plug. Do not attempt to operate the pump unless all connecting piping is securely installed. Otherwise, liquid in the pump forced out under pressure could cause injury to personnel.

To fill the pump, remove the pump casing fill cover or fill plug in the top of the casing, and add clean liquid until the casing is filled. Replace the fill cover or fill plug before operating the pump.

STARTING

Consult the operations manual furnished with the engine.

Be sure the pump unit is properly grounded before operation. See **GROUNDING**, Section B.

The engine used on the pump is not standard. The manual ON/OFF switch, which is referred to in the engine operation manual, has been removed. To start the engine, move the speed control lever to the position indicated in the engine operation manual and pull the start rope. When the engine starts, adjust the speed control as indicated in the engine operation manual.

OPERATION

Lines With a Bypass

Close the discharge throttling valve (if so equipped) so that the pump will not have to prime against the weight of the liquid in the discharge line. Air from the suction line will be discharged through the bypass line back to the wet well during the priming cycle. When the pump is fully primed and liquid is flowing steadily from the bypass line, open the discharge throttling valve. Liquid will then continue to circulate through the bypass line while the pump is in operation.

Lines Without a Bypass

Open all valves in the discharge line and start the engine. Priming is indicated by a positive reading on the discharge pressure gauge or by a quieter operation. The pump may not prime immediately because the suction line must first fill with liquid. If the pump fails to prime within five minutes, stop it and check the suction line for leaks.

After the pump has been primed, partially close the discharge line throttling valve in order to fill the line slowly and guard against excessive shock pressure which could damage pipe ends, gaskets, sprinkler heads, and any other fixtures connected to the line. When the discharge line is completely filled, adjust the throttling valve to the required flow rate.

Leakage

No leakage should be visible at pump mating surfaces, or at pump connections or fittings. Keep all line connections and fittings tight to maintain maximum pump efficiency.

Liquid Temperature And Overheating

The **maximum** liquid temperature for this pump is 160° F (71°C). Do not apply it at a higher operating temperature.

Overheating can occur if operated with the valves in the suction or discharge lines closed. Operating against closed valves could bring the liquid to a boil, build pressure, and cause the pump to rupture or explode. If overheating occurs, stop the

pump and allow it to cool before servicing it. Refill the pump casing with cool liquid.



Do not remove plates, covers, gauges, pipe plugs, or fittings from an overheated pump. Vapor pressure within the pump can cause parts being disengaged to be ejected with great force. allow the pump to cool before servicing.

Strainer Check

If a suction strainer has been shipped with the pump or installed by the user, check the strainer regularly, and clean it as necessary. The strainer should also be checked if pump flow rate begins to drop. If a vacuum suction gauge has been installed, monitor and record the readings regularly to detect strainer blockage.

Never introduce air or steam pressure into the pump casing or piping to remove a blockage. This could result in personal injury or damage to the equipment. If backflushing is absolutely necessary, **liquid pressure** must be limited to 50% of the maximum permissible operating pressure shown on the pump performance curve.

Pump Vacuum Check

NOTE

Petroleum products are very sensitive to changes in temperature. Warmer temperatures elevate the product vapor pressure resulting in low vacuum readings. Do not mistake temperature problems for faulty pump installation or performance.

With the pump inoperative, install a vacuum gauge in the system, using pipe dope on the threads. Block the suction line and start the pump. At operating speed the pump should pull a vacuum of 20 inches (508,0 mm) or more of mercury. If it does not, check for air leaks in the seal, gasket, or discharge valve.

Open the suction line, and read the vacuum gauge with the pump primed and at operation speed. Shut off the pump. The vacuum gauge reading will

immediately drop proportionate to static suction lift, and should then stabilize. If the vacuum reading falls off rapidly after stabilization, an air leak exists. Before checking for the source of the leak, check the point of installation of the vacuum gauge.

STOPPING

Never halt the flow of liquid suddenly. If the liquid being pumped is stopped abruptly, damaging shock waves can be transmitted to the pump and piping system. Close all connecting valves slowly.

On engine driven pumps, reduce the throttle speed slowly and allow the engine to idle briefly before stopping.



If the application involves a high discharge head, gradually close the discharge throttling valve before stopping the pump.

The engine used on the pump is not standard. The manual ON/OFF switch, which is referred to in the engine operation manual, has been removed. To stop the engine, move the speed control lever to the lowest setting.

Cold Weather Preservation

Since the application of this pump is limited to petroleum products, normal freezing conditions should not damage the pump. However, during extremely severe conditions, care should be exercised during start-up, especially if the pump has been idle for more than a few hours.

TROUBLESHOOTING – SECTION D

Review all **SAFETY** information in Section A.



Before attempting to open or service the pump:

- 1. Familiarize yourself with this manual.**
- 2. Shut down the engine and take precautions to ensure that the pump will remain inoperative.**
- 3. Allow the pump to completely cool if overheated.**
- 4. Check the temperature before opening any covers, plates, or plugs.**
- 5. Close the suction and discharge valves.**
- 6. Vent the pump slowly and cautiously.**
- 7. Drain the pump.**

| TROUBLE | POSSIBLE CAUSE | PROBABLE REMEDY |
|---------------------|---|---|
| PUMP FAILS TO PRIME | <p>Not enough liquid in casing.</p> <p>Suction check valve contaminated or damaged.</p> <p>Air leak in suction line.</p> <p>Product vapor pressure too high.</p> <p>Lining of suction hose collapsed.</p> <p>Leaking or worn seal or pump gasket.</p> <p>Suction check valve or foot valve clogged or binding.</p> <p>Pump speed too slow.</p> <p>Discharge head too high.</p> <p>Suction lift too high.</p> <p>Strainer clogged.</p> | <p>Add liquid to casing. See PRIMING.</p> <p>Clean or replace check valve.</p> <p>Correct leak.</p> <p>Cool pump and product suction line.</p> <p>Replace suction hose.</p> <p>Check pump vacuum. Replace leaking or worn seal or gasket.</p> <p>Clean valve.</p> <p>Check engine output; consult engine operation manual.</p> <p>Install bypass line.</p> <p>Measure lift w/vacuum gauge. Reduce lift and/or friction losses in suction line.</p> <p>Check strainer and clean if necessary.</p> |

| TROUBLE | POSSIBLE CAUSE | PROBABLE REMEDY |
|---|--|--|
| PUMP STOPS OR FAILS TO DELIVER RATED FLOW OR PRESSURE (cont.) | <p>Air leak in suction line.</p> <p>Lining of suction hose collapsed.</p> <p>Suction intake not submerged at proper level or sump too small.</p> <p>Impeller or other wearing parts worn or damaged.</p> <p>Impeller clogged.</p> <p>Pump speed too slow.</p> <p>Discharge head too high.</p> <p>Suction lift too high.</p> <p>Leaking or worn seal or pump gasket.</p> <p>Strainer clogged.</p> | <p>Correct leak.</p> <p>Replace suction hose.</p> <p>Check installation and correct submergence as needed.</p> <p>Replace worn or damaged parts. Check that impeller is properly centered and rotates freely.</p> <p>Free impeller of debris.</p> <p>Check engine output; consult engine operation manual.</p> <p>Install bypass line.</p> <p>Measure lift w/vacuum gauge. Reduce lift and/or friction losses in suction line.</p> <p>Check pump vacuum. Replace leaking or worn seal or gasket.</p> <p>Check strainer and clean if necessary.</p> |
| PUMP REQUIRES TOO MUCH POWER | <p>Pump speed too high.</p> <p>Discharge head too low.</p> <p>Liquid solution too thick.</p> | <p>Check driver output; check that sheaves or couplings are correctly sized.</p> <p>Adjust discharge valve.</p> <p>Dilute if possible.</p> |
| PUMP CLOGS FREQUENTLY | <p>Discharge flow too slow.</p> <p>Suction check valve or foot valve clogged or binding.</p> | <p>Open discharge valve fully to increase flow rate, and run engine at maximum governed speed.</p> <p>Clean valve.</p> |
| EXCESSIVE NOISE | <p>Cavitation in pump.</p> <p>Pumping entrained air.</p> <p>Pump or drive not securely mounted.</p> <p>Impeller clogged or damaged.</p> | <p>Reduce suction lift and/or friction losses in suction line. Record vacuum and pressure gauge readings and consult local representative or factory.</p> <p>Locate and eliminate source of air bubble.</p> <p>Secure mounting hardware.</p> <p>Clean out debris; replace damaged parts.</p> |

PREVENTIVE MAINTENANCE

Since pump applications are seldom identical, and pump wear is directly affected by such things as the abrasive qualities, pressure and temperature of the liquid being pumped, this section is intended only to provide general recommendations and practices for preventive maintenance. Regardless of the application however, following a routine preventive maintenance schedule will help assure trouble-free performance and long life from your Gorman-Rupp pump. For specific questions concerning your application, contact your Gorman-Rupp distributor or the Gorman-Rupp Company.

Record keeping is an essential component of a good preventive maintenance program. Changes in suction and discharge gauge readings (if so

equipped) between regularly scheduled inspections can indicate problems that can be corrected before system damage or catastrophic failure occurs. The appearance of wearing parts should also be documented at each inspection for comparison as well. Also, if records indicate that a certain part (such as the seal) fails at approximately the same duty cycle, the part can be checked and replaced before failure occurs, reducing unscheduled down time.

For new applications, a first inspection of wearing parts at 250 hours will give insight into the wear rate for your particular application. Subsequent inspections should be performed at the intervals shown on the chart below. Critical applications should be inspected more frequently.

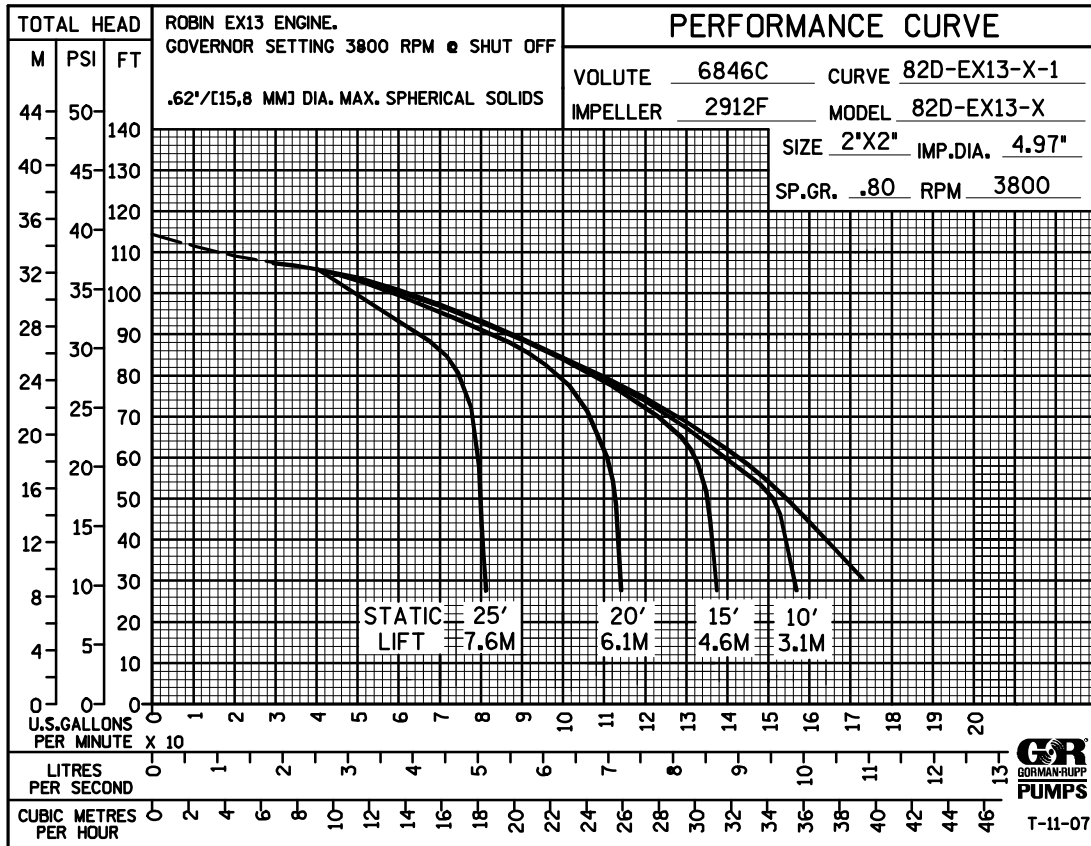
| Preventive Maintenance Schedule | | | | | |
|--|--------------------------|---------------|----------------|----------------------|-----------------|
| Item | Service Interval* | | | | |
| | Daily | Weekly | Monthly | Semi-Annually | Annually |
| General Condition (Temperature, Unusual Noises or Vibrations, Cracks, Leaks, Loose Hardware, Etc.) | I | | | | |
| Pump Performance (Gauges, Speed, Flow) | I | | | | |
| Bearing Lubrication | | I | | | R |
| Seal Lubrication (And Packing Adjustment, If So Equipped) | | I | | | R |
| V-Belts (If So Equipped) | | | I | | |
| Air Release Valve Plunger Rod (If So Equipped) | | | I | C | |
| Front Impeller Clearance (Wear Plate) | | | | I | |
| Rear Impeller Clearance (Seal Plate) | | | | I | |
| Check Valve | | | | | I |
| Pressure Relief Valve (If So Equipped) | | | | | C |
| Pump and Driver Alignment | | | | | I |
| Shaft Deflection | | | | | I |
| Bearings | | | | | I |
| Bearing Housing | | | | | I |
| Piping | | | | | I |
| Driver Lubrication – See Mfgr’s Literature | | | | | I |

Legend:
 I = Inspect, Clean, Adjust, Repair or Replace as Necessary
 C = Clean
 R = Replace

* Service interval based on an intermittent duty cycle equal to approximately 4000 hours annually. Adjust schedule as required for lower or higher duty cycles or extreme operating conditions.

PUMP MAINTENANCE AND REPAIR - SECTION E

MAINTENANCE AND REPAIR OF THE WEARING PARTS OF THE PUMP WILL MAINTAIN PEAK OPERATING PERFORMANCE.



* STANDARD PERFORMANCE FOR PUMP MODEL 82D1-EX13-X

* Based on 70° F (21° C) clear water (corrected to .80 specific gravity) at sea level with minimum suction lift. Since pump installations are seldom identical, your performance may be different due to such factors as viscosity, specific gravity, elevation, temperature, and impeller trim.

If your pump serial number is followed by an "N", your pump is **NOT** a standard production model. Contact the Gorman-Rupp Company to verify performance or part numbers.



WARNING!

Never tamper with the governor to gain more power. The governor establishes safe operating limits that should not be exceeded. The maximum continuous operating speed for this pump is 3800 RPM.

SECTION DRAWING

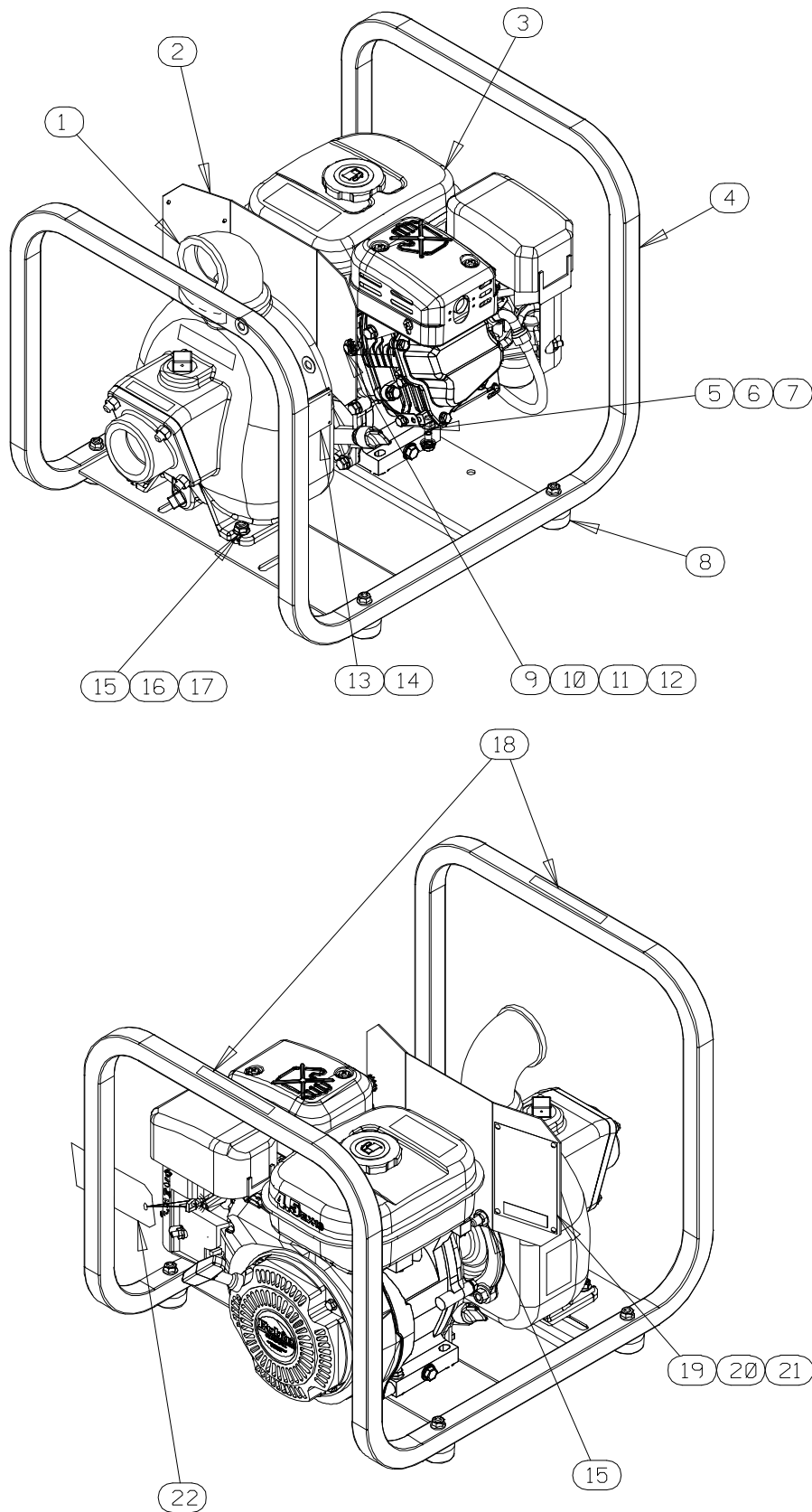


Figure 1. Pump Model 82D1-EX13-X

PARTS LIST
82D1-EX13-X Pump Model
 (From S/N 1390156 Up)

If your pump serial number is followed by an "N", your pump is **NOT** a standard production model. Contact the Gorman-Rupp Company to verify part numbers.

| ITEM NO. | PART NAME | PART NUMBER | MAT'L CODE | QTY |
|------------|--------------------------|-------------------|------------|-----|
| 1 | PUMP PARTS | 82D1-(EX13)-X PPO | | 1 |
| 2 | ENGINE SHIELD | 34335-160 | --- | 1 |
| 3 | ENGINE MODIFICATION KIT | 44311-020 | --- | 1 |
| 4 | ROLLOVER BASE | 41583-316 | 24150 | 1 |
| 5 | FLANGED HEX NUT | 21765-312 | --- | 2 |
| 6 | FLAT WASHER | KE05 | 15991 | 2 |
| 7 | HEX HD CAPSCREW | B0506 | 15991 | 2 |
| 8 | RUBBER FOOT MOUNTING KIT | 48152-607 | --- | 1 |
| 9 | HEX HD CAPSCREW | B0402-1/2 | 15991 | 1 |
| 10 | FLAT WASHER | K04 | 15991 | 1 |
| 11 | T-TYPE LOCK WASHER | BL04 | 15991 | 1 |
| 12 | HEX NUT | D04 | 15991 | 1 |
| 13 | NAME PLATE | 38812-040 | 13990 | 1 |
| 14 | DRIVE SCREW | BM#04-03 | 17000 | 4 |
| 15 | FLAT WASHER | KE06 | 15991 | 4 |
| 16 | FLANGED HEX NUT | 21765-314 | --- | 2 |
| 17 | HEX HD CAPSCREW | B0604 | 15991 | 2 |
| 18 | HAND CARRY DECAL | 2613FT | --- | 2 |
| 19 | CAUTION PLATE | 38816-146 | 13990 | 1 |
| 20 | NOT USED | | | |
| 21 | POP RIVET | 11703D | 13990 | 4 |
| 22 | ENGINE STARTUP TAG | 38816-269 | --- | 1 |
| NOT SHOWN: | GROUND WIRE ASSEMBLY | 13830 | --- | 1 |
| | OIL CAUTION LABEL | 38816-341 | --- | 1 |
| OPTIONAL: | | | | |
| | WHEEL KIT | GRP30-52 | --- | 1 |

SECTION DRAWING

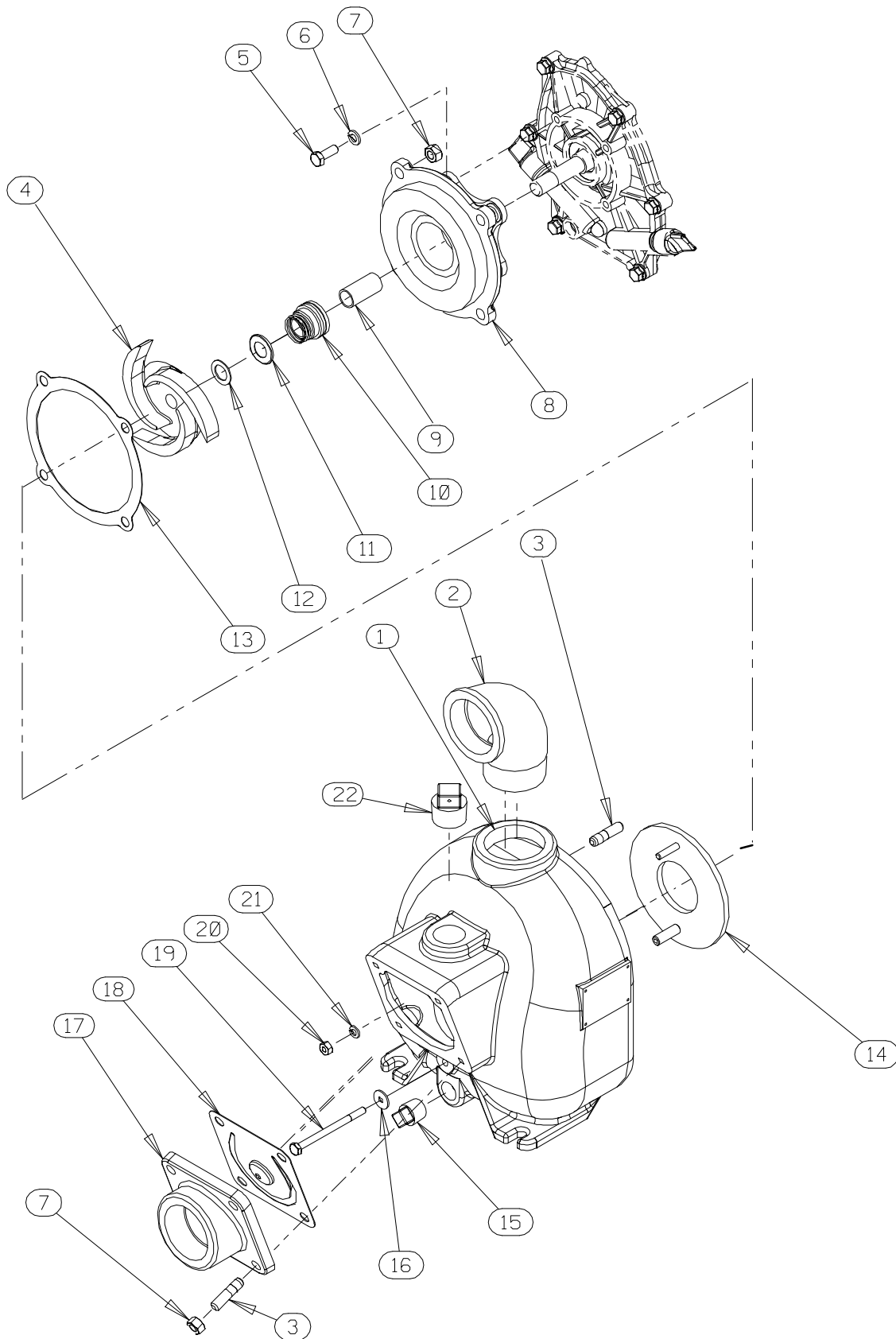


Figure 2. 82D1-(EX13)-X Pump Parts

PARTS LIST
82D1-(EX13)-X Pump Parts

| ITEM NO. | PART NAME | PART NUMBER | MAT'L CODE | QTY |
|------------|-------------------------------|-------------|------------|-----|
| 1 | PUMP CASING | 6846C | 13040 | 1 |
| 2 | STREET ELBOW | RS32 | 11999 | 1 |
| 3 | STUD | C0606 | 15991 | 8 |
| 4 | * IMPELLER | 2912F | 13040 | 1 |
| 5 | HEX HD CAPSCREW | B0503-1/2S | 15991 | 4 |
| 6 | LOCK WASHER | J05 | 15991 | 4 |
| 7 | HEX NUT | D06 | 15991 | 8 |
| 8 | INTERMEDIATE BRACKET | 6732A | 10010 | 1 |
| 9 | * SHAFT SLEEVE | 31411-267 | 17020 | 1 |
| 10 | * SEAL ASSEMBLY | 25271-841 | --- | 1 |
| 11 | * SPRING CENTERING WASHER | 12658 | 17100 | 1 |
| 12 | * IMPELLER ADJUSTING SHIM SET | 513A | 17090 | 1 |
| 13 | * CASING GASKET SET | 504GA | 20000 | 1 |
| 14 | * WEAR PLATE ASSY | 2643A | 15990 | 1 |
| 15 | PIPE PLUG | P08 | 15079 | 1 |
| 16 | FLAT WASHER | KF04 | 18040 | 1 |
| 17 | SUCTION FLANGE | 1361 | 10010 | 1 |
| 18 | FLAP VALVE ASSEMBLY | 1361E | --- | 1 |
| | -SMALL VALVE WEIGHT | 1354 | 15160 | 1 |
| | * -CHECK VALVE | 1361GC | 19550 | 1 |
| | -LARGE VALVE WEIGHT | 19B | 10010 | 1 |
| | -RD HD MACH SCREW | X0403 | 17090 | 1 |
| | -LOCKWASHER | J04 | 17090 | 1 |
| 19 | HEX HD CAPSCREW | B0414 | 15991 | 1 |
| 20 | HEX NUT | D04 | 15991 | 1 |
| 21 | LOCK WASHER | J04 | 15991 | 1 |
| 22 | FILL PLUG ASSY | 48271-062 | --- | 1 |
| NOT SHOWN: | PRIMING STICKER | 6588AH | --- | 1 |
| | SUCTION STICKER | 6588AG | --- | 1 |
| | G-R DECAL | GR-03 | --- | 1 |
| | DISCHARGE STICKER | 6588BJ | --- | 1 |
| | PAPER INSTRUCTION TAG | 38817-085 | --- | 1 |
| | WARNING TAG | 6588BG | --- | 1 |

* INDICATES PARTS RECOMMENDED FOR STOCK

SECTION DRAWING

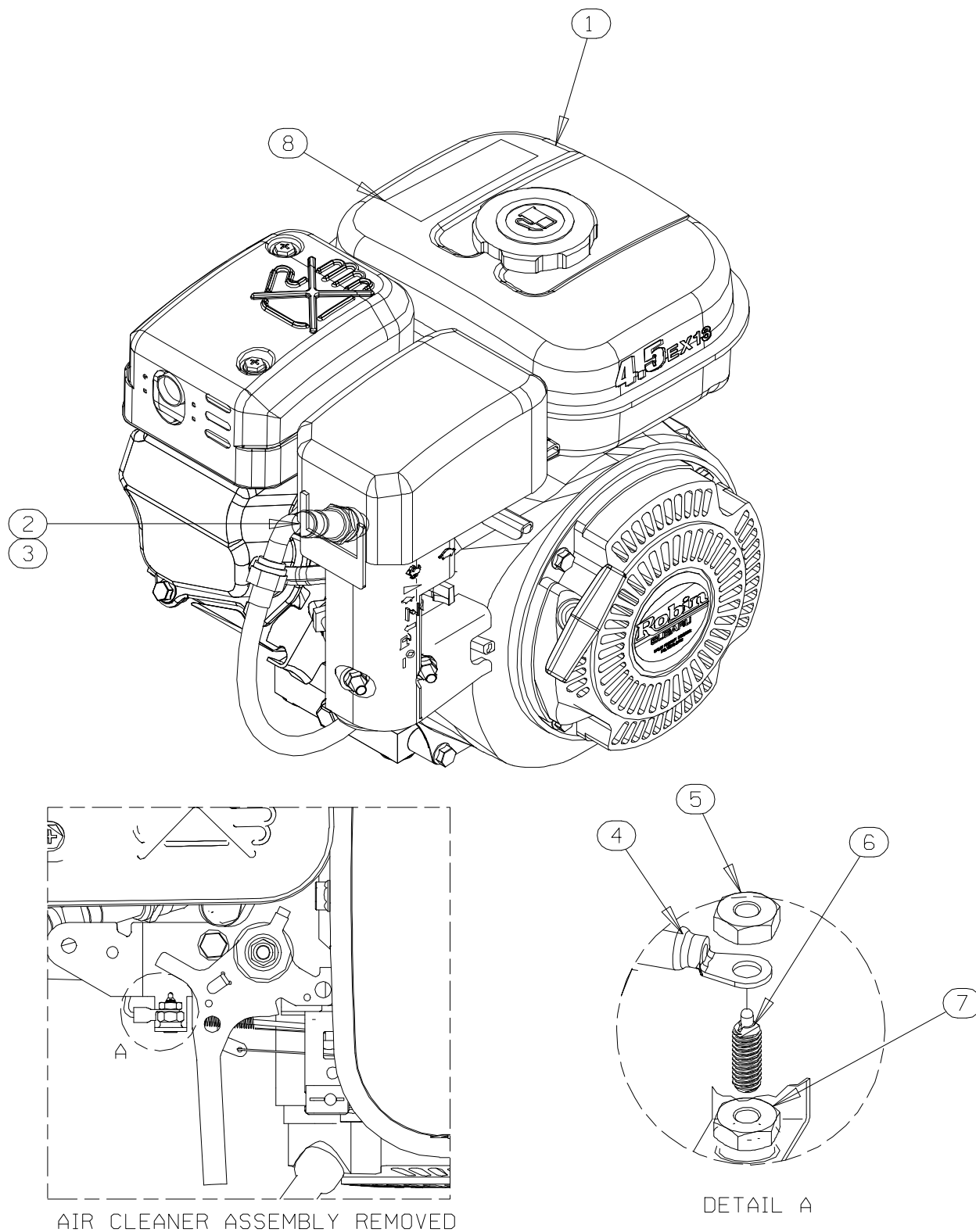


Figure 3. Engine Modification Assembly

PARTS LIST
Engine Modification Assembly

| ITEM NO. | PART NAME | PART NUMBER | MAT'L CODE | QTY |
|----------|------------------------|-------------|------------|-----|
| 1 | ROBIN EX13 ENGINE | 29124-001 | --- | 1 |
| 2 | SHIELDED LEAD ASSEMBLY | 29184-001 | --- | 1 |
| 3 | * SHIELDED SPARK PLUG | 29331-076 | --- | 1 |
| 4 | * GROUND WIRE ASSEMBLY | 47311-069 | --- | 1 |
| 5 | HEX NUT | D#08 | 17000 | 1 |
| 6 | SPRING PLUNGER | 29184-003 | --- | 1 |
| 7 | INSULATOR | 29184-002 | --- | 1 |
| 8 | ENGINE OPERATION DECAL | 38815-026 | --- | 1 |

* INDICATES PARTS RECOMMENDED FOR STOCK

PUMP AND SEAL DISASSEMBLY AND REASSEMBLY

Review all **SAFETY** information in Section A.

Follow the instructions on all tags, label and decals attached to the pump.

This pump requires little service due to its rugged, minimum-maintenance design. However, if it becomes necessary to inspect or replace the wearing parts, follow these instructions which are keyed to the sectional views (Figures 1, 2 and 3) and the accompanying parts lists.

This manual will alert personnel to known procedures which require special attention, to those which could damage equipment, and to those which could be dangerous to personnel. However, this manual cannot possibly anticipate and provide detailed precautions for every situation that might occur during maintenance of the unit. Therefore, it is the responsibility of the owner/maintenance personnel to ensure that **only** safe, established shop procedures are used, and that any procedures not addressed in this manual are performed **only** after establishing that neither personal safety nor pump integrity are compromised by such practices.

Before attempting to service the pump, remove the spark plug wire to ensure that it will remain inoperative. Close all valves in the suction and discharge lines.

For engine disassembly and repair, consult the literature supplied with the engine, or contact your local Briggs and Stratton engine representative.



The engine used in this pump is not standard. It has been modified for use in handling gasoline and other petroleum products in a well-ventilated, non-flammable atmosphere free of combustible hazards. It cannot be further modified without affecting performance and safety factors. The shield and spark arresting modifications must be inspected and maintained regularly while the unit

is in use. Refer to the manual accompanying the engine before attempting to start the engine.



If this pump is used with volatile and/or flammable liquids, be certain proper safety practices are followed before operating or servicing the pump. Provide adequate ventilation, prohibit smoking, wear static-resistant clothing and shoes. Clean up all fuel spills immediately after occurrence.



Before attempting to open or service the pump:

- 1. Familiarize yourself with this manual.**
- 2. Shut down the engine and disconnect the spark plug wire to ensure that the pump will remain inoperative.**
- 3. Allow the pump to completely cool if overheated.**
- 4. Check the temperature before opening any covers, plates, or plugs.**
- 5. Close the suction and discharge valves.**
- 6. Vent the pump slowly and cautiously.**
- 7. Drain the pump.**

Suction Check Valve Disassembly

(Figure 2)

Before attempting to service the pump, remove the pump casing drain plug (15) and drain the pump. Clean and reinstall the drain plug.

To service the suction check valve, remove the suction piping. Remove the nuts (7) securing the suction flange (17) to the pump casing (1). Pull the check valve assembly (18) from the suction port.

To disassemble the check valve, remove the hardware securing the check valve weights to the check valve.

If no further disassembly is required, see **Suction Check Valve Installation**.

Pump Casing Removal

(Figure 1)

To service the impeller or seal assembly, disconnect the discharge piping. Remove the hardware (15, 16 and 17) securing the pump casing to the roll cage (4).

(Figure 2)

Remove the nuts (7) securing the pump casing to the intermediate. Separate the parts by pulling the casing straight away from the intermediate. If shims have been used under the mounting feet to level the pump casing, tie and tag these shims.

Remove the casing gasket set (13). Record the thickness of the gaskets for future reference. Clean the mating surfaces of the intermediate and pump casing.

Inspect the wear plate assembly (14) and replace if badly scored or worn. To remove the wear plate assembly, disengage the hardware (16, 19, 20 and 21) and pull the wear plate from the pump casing.

Impeller Removal

(Figure 2)

To loosen the impeller (2), tap the vanes of the impeller in a counterclockwise direction (when facing the impeller) with a block of wood or a soft-faced mallet. Unscrew the impeller from the engine crankshaft. Use caution when removing the impeller; tension on the seal spring will be released as the impeller is unscrewed.

Slide the impeller adjusting shims (12) off the shaft. Tie and tag the shims or measure and record their thickness for ease of reassembly.

Seal Removal and Disassembly

(Figures 2 and 4)

Carefully remove the spring centering washer (11) and seal spring. Slide the shaft sleeve (9) and rotating portion of the seal off the shaft as a unit. Apply oil to the sleeve and work it up under the bellows. Slide the rotating portion of the seal off the sleeve.

Slide a pair of stiff wires with hooked ends along the shaft and use them to pull the stationary seat from the intermediate bore.

NOTE

An alternate method of removing the stationary seat is to remove the hardware (5 and 6) and separate the intermediate (8) from the engine. Use a wooden dowel or other suitable tool to press the stationary seat from the back side of the intermediate bore.

If no further disassembly is required, see **Seal Reassembly and Installation**.

Seal Reassembly and Installation

(Figures 2 and 4)

Inspect the engine crankshaft for damage. Small scratches or nicks may be removed with a fine file or emery cloth. If excessive wear exists, the engine shaft will have to be replaced (refer to the engine service manual).

Clean the seal cavity and shaft with a cloth soaked in fresh cleaning solvent.



Most cleaning solvents are toxic and flammable. Use them only in a well-ventilated area free from excessive heat, sparks, and flame. Read and follow all precautions printed on solvent containers.

The seal is not normally reused because wear patterns on the finished faces cannot be realigned during reassembly. This could result in premature failure. If necessary to reuse an old seal in an emergency, **carefully** wash all metallic parts in fresh cleaning solvent and allow to dry thoroughly.

Handle the seal parts with extreme care to prevent damage. Be careful not to contaminate precision finished faces; even fingerprints on the faces can shorten seal life. If necessary, clean the faces with a non-oil based solvent and a clean, lint-free tissue. Wipe **lightly** in a concentric pattern to avoid scratching the faces.

Inspect the seal components for wear, scoring, grooves, and other damage that might cause leakage. If any components are worn, replace the complete seal; **never mix old and new seal parts.**

If a replacement seal is being used, remove it from the container and inspect the precision finished faces to ensure that they are free of any foreign matter.

To ease installation of the seal, lubricate the bellows and O-rings with water or a very **small** amount of light lubricating oil, and apply a drop of light lubricating oil on the finished faces. Assemble the seal as follows, (see Figure 4).

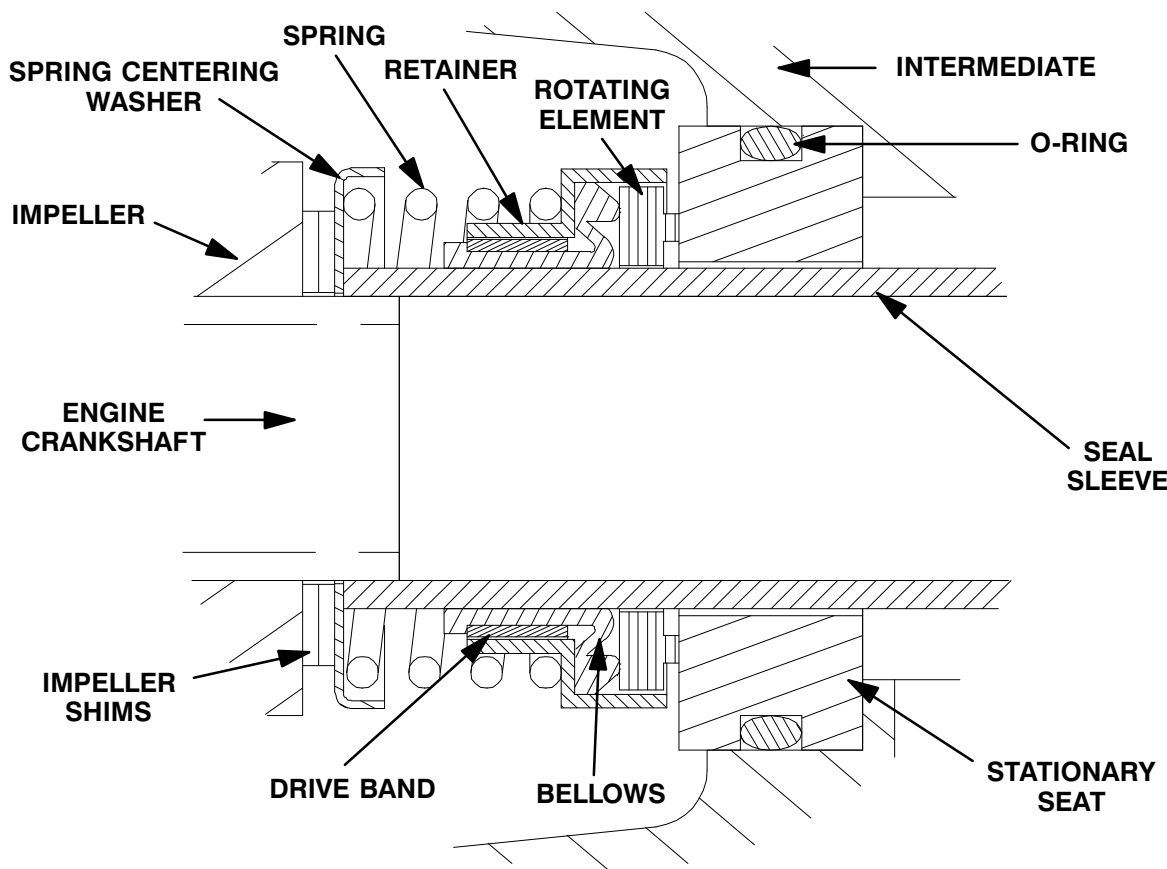


Figure 4. 25271-841 Seal Assembly



This seal is not designed for operation at temperatures above 160°F (71°C). However most petroleum products such as gasoline are more efficiently handled at ambient temperatures. Do not use at higher operating temperatures.

If the intermediate was removed, lay it on a flat surface with the impeller side facing up.

Subassemble the O-ring into the groove in the stationary seat and press this subassembly into the intermediate bore until it seats squarely against the shoulder. Slide the assembled intermediate and stationary seat over the shaft and secure the intermediate to the engine with the hardware (5 and 6). When installing the intermediate, use caution not to damage the stationary seat on the shaft threads.

NOTE

If the intermediate was not separated from the engine during disassembly, subassemble the O-ring into the stationary seat and use a piece of plastic tubing to press the seat into the intermediate bore until fully seated. The O.D. of the tubing should be approximately the same as the O.D. of the seal spring.

Lubricate the shaft sleeve with light oil, then slide the rotating portion of the seal (consisting of the rotating element, bellows and retainer) onto the lubricated shaft sleeve until the face of the rotating element is **just flush** with the chamfered end of the sleeve.

Slide the subassembled sleeve and rotating portion of the seal onto the shaft until the seal faces contact. Continue to push the sleeve through the seal until the chamfered end seats firmly against the shaft shoulder.

Install the seal spring and spring centering washer (11).

Impeller Installation And Adjustment**(Figure 2)**

Inspect the impeller, and replace it if cracked or badly worn. Install the same thickness of impeller shims (8) as previously removed, and screw the impeller onto the shaft until tight.

A clearance of .010 to .020 inch (0,25 to 0,51 mm) between the impeller and the intermediate is recommended for maximum pump efficiency. Measure this clearance and add or remove impeller shims until the proper clearance is obtained.

Pump Casing Installation**(Figure 2)**

If the wear plate assembly (14) was removed for replacement, secure the new wear plate to the pump casing using the attaching hardware (16, 19, 20 and 21). Replace the fiber washer (16) if badly worn or compressed.

Install the same thickness of pump casing gaskets (13) as previously removed, and secure the pump

casing to the intermediate with the nuts (7). **Do not** fully tighten the nuts at this time.

A clearance of .008 to .015 inch (0,20 to 0,38 mm) between the impeller and the wear plate is also recommended for maximum pump efficiency. This clearance can be obtained by adding or removing gaskets in the pump casing gasket set until the impeller scrapes against the wear plate when the shaft is turned by hand. After the impeller scrapes, add approximately .008 inch (0,20 mm) of gaskets.

After the face clearance has been set, tighten the nuts (7) securing the pump casing to the intermediate.

See Figure 1 and secure the pump casing to the roll cage (4) with the hardware (15, 16 and 17). Be sure to reinstall any leveling shims used under the mounting feet of the pump casing.

Suction Check Valve Installation**(Figure 2)**

Inspect the check valve components and replace as required. Subassemble the check valve weights and check valve with the previously removed hardware.

Position the check valve assembly (18) in the suction port with the large weight toward the inside of the pump. Install the suction flange (17) and secure with the nuts (7). Check the operation of the check valve to ensure proper seating and free movement.

Final Pump Assembly**(Figure 1)**

Be sure the pump and engine are securely mounted to the roll cage.

Install the suction and discharge lines and open all valves. Make certain that all piping connections are tight, properly supported and secure.

Be sure the engine has been properly lubricated (see the literature supplied with the engine).

Fill the pump casing with clean liquid. Reinstall the fill plug and tighten it.

Refer to **OPERATION**, Section C, before putting the pump back into service.

LUBRICATION

Seal Assembly

The seal is lubricated by the medium being pumped. No additional lubrication is required.

Engine

Consult the literature supplied with the engine, or contact your local engine representative.

ENGINE MODIFICATIONS

The engine used on this pump is not a standard commercial model. It has been specially modified by Gorman-Rupp for pumping gasoline and other petroleum products in a well ventilated, non-flammable atmosphere, free of combustible hazards. The ground strap, shield and spark arresting modifications to the engine must be maintained whenever the unit is serviced or replaced; otherwise, fire or explosion could occur. Further modifications to the engine may not be made without jeopardizing the integrity of these safety features.

**For U.S. and International Warranty Information,
Please Visit www.grpumps.com/warranty
or call:
U.S.: 419-755-1280
International: +1-419-755-1352**

**For Canadian Warranty Information,
Please Visit www.grcanada.com/warranty
or call:
519-631-2870**